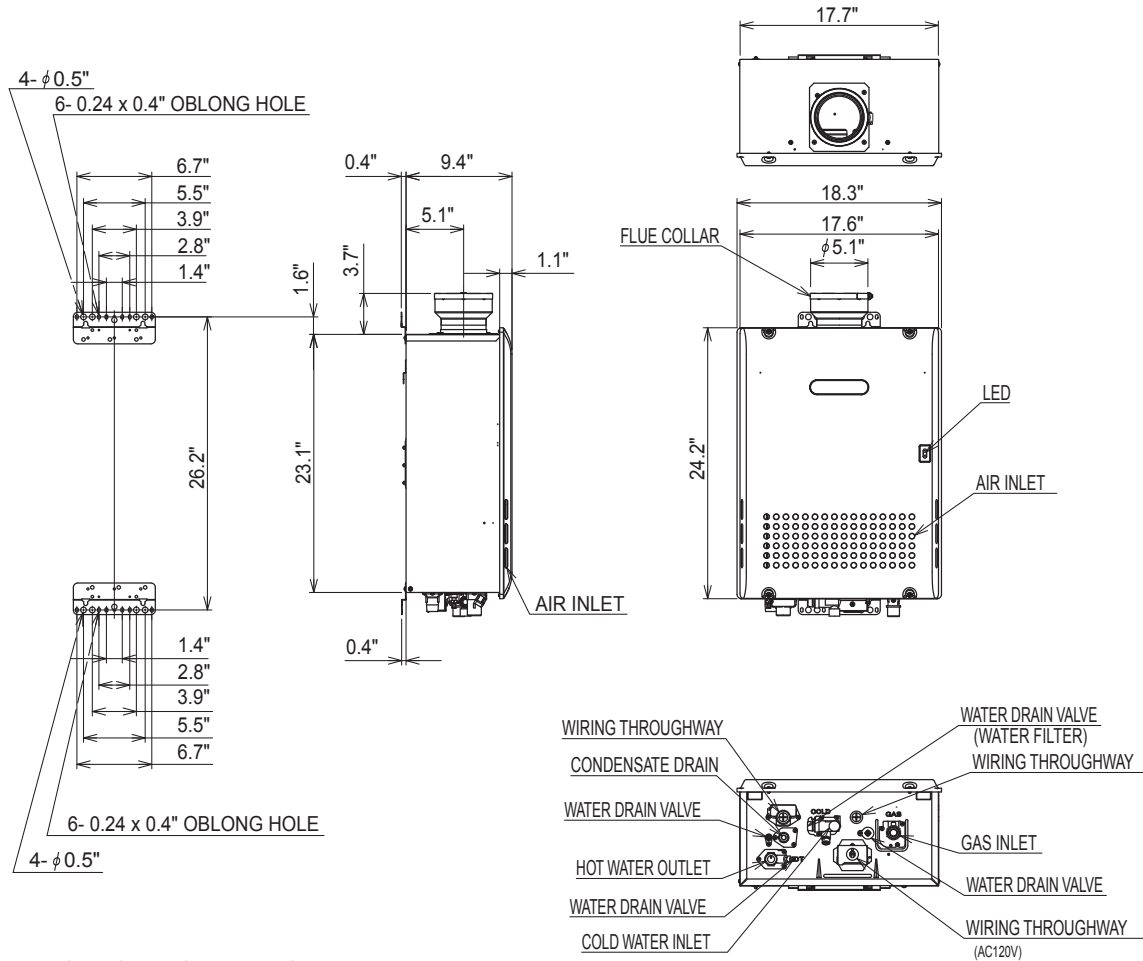


# Dimensions

## NRC111-SV



HEIGHT OF EACH FITTING FROM BOTTOM OF CASE

	NRC111-SV
CONDENSATE DRAIN	0.9"
HOT WATER OUTLET	1.7"
COLD WATER INLET	2.2"
GAS INLET	2.2"

