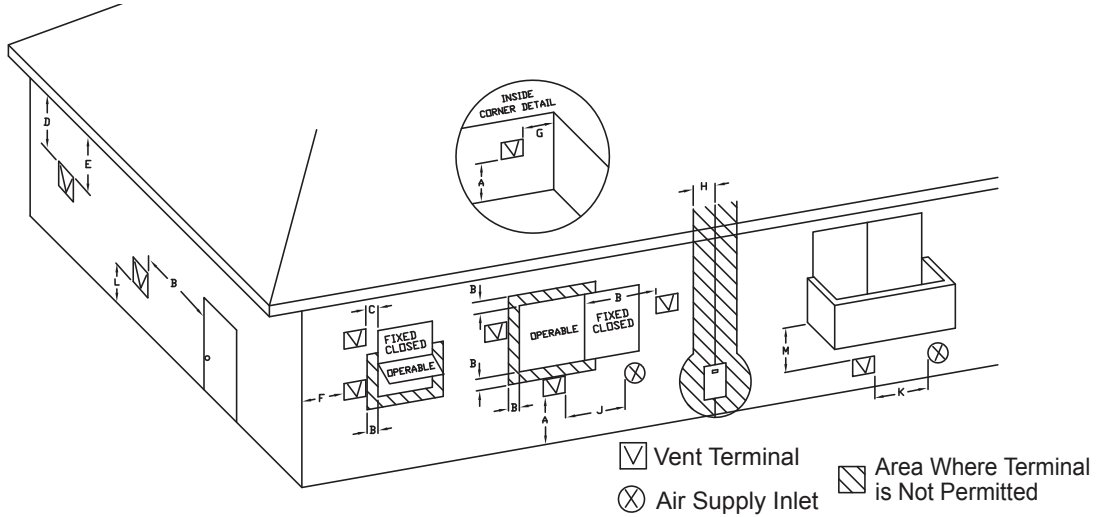


## Clearance Requirements from Vent Terminations to Building Openings for DV Models

\* All clearance requirements are in accordance with ANSI Z21.10.3 and the National Fuel Gas Code, ANSI Z223.1 and in Canada, in accordance with NSCNGPIC.



Clearance		
A=	Above grade, veranda, porch, deck, or balcony	300mm (12") [300mm (12")]
B=	Window or door that may be opened	300mm (12") [900mm (36")]
C=	Permanently closed window	*
D=	Vertical clearance to ventilated soffit located above the terminal within a horizontal distance of 2 feet from the center of the terminal	*
E=	Unventilated soffit	*
F=	Outside corner	*
G=	Inside corner	*
H=	Each side of center line extended above meter/regulator assembly	3' (0.9mm) within a height 15' (4.5mm) above meter/regulator assembly
I=	Service regulator vent outlet	3' (0.9mm)
J=	Nonmechanical air supply inlet or combustion air inlet to any other appliance	300mm (12") [900mm (36")]
K=	Mechanical air supply inlet	3' (0.9mm) above if within 10' (3m) [1.8m (6')]
L=	Above paved sidewalk or paved driveway located on public property	[7' *** (2.1mm***)]
M=	Under veranda, porch, deck, or balcony	* [12" (300m) - Canada Only****]

[ ] = indicates clearances required in Canada

\*Maintain clearances in accordance with local installation codes and the requirements of the gas supplier

\*\*\*A vent shall not terminate directly above a sidewalk or paved driveway that is located between two single family dwellings and serves both dwellings.

\*\*\*\*Permitted only if veranda, porch, deck, or balcony is fully open on a minimum of two sides beneath the floor.