

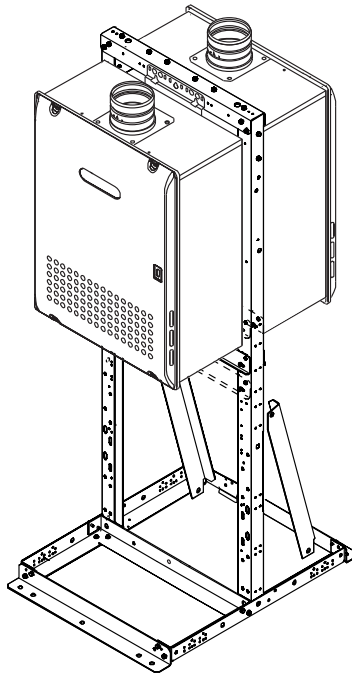


Installation Guide

Commercial Multi-Rack System

Model: MR-2

Installation Time: 5-10 Minutes






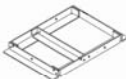



In order to properly install this accessory, please read the Installation Manual carefully before proceeding. Failure to do so could result in a serious injury.

Request for Installers:

- Any cases of damage or malfunction due to improper installation will be the responsibility of the installer regardless of warranty coverage.
- Please refer to the Installation Manual included with the water heater for additional information to complete the installation.
- Once the installation is completed, confirm all procedures based on this Installation Guide.

Included Parts

The following parts are supplied in the Commercial Multi-Rack System. Check for any missing items before starting the installation.

Part Description	Qty	Illustration
Rack Top Assembly (includes Adjustable Mounting Plate)	1	
Reinforcement Plate (Right)	1	
Tapping Screw 5 x 12 (5 screws required to mount each unit)	12	
Rack Base	1	
Reinforcement Plate (Left)	1	
M12 Bolt Set (M12 x 30 Bolt with Spring Washer and Nut)	8	
Installation Guide	1	

Introduction

This manual covers the installation of the Noritz Commercial Multi-Rack System (#MR-2) for commercial tankless water heater models. The model type can be verified from the Rating Plate located on the water heater in order to check for compatibility (see below). Please read the following instructions completely before starting the installation.

Compatible Noritz Commercial Models:

- NC199 Series*
- NCC199 Series
- NC250 Series
- NC380-SV-ASME

** NC199 series models will require additional pre-drilled holes on the Rack Top and/or the Adjustable Mounting Plate for a direct fit to the mounting brackets on the water heater. See Note on Page 4.*

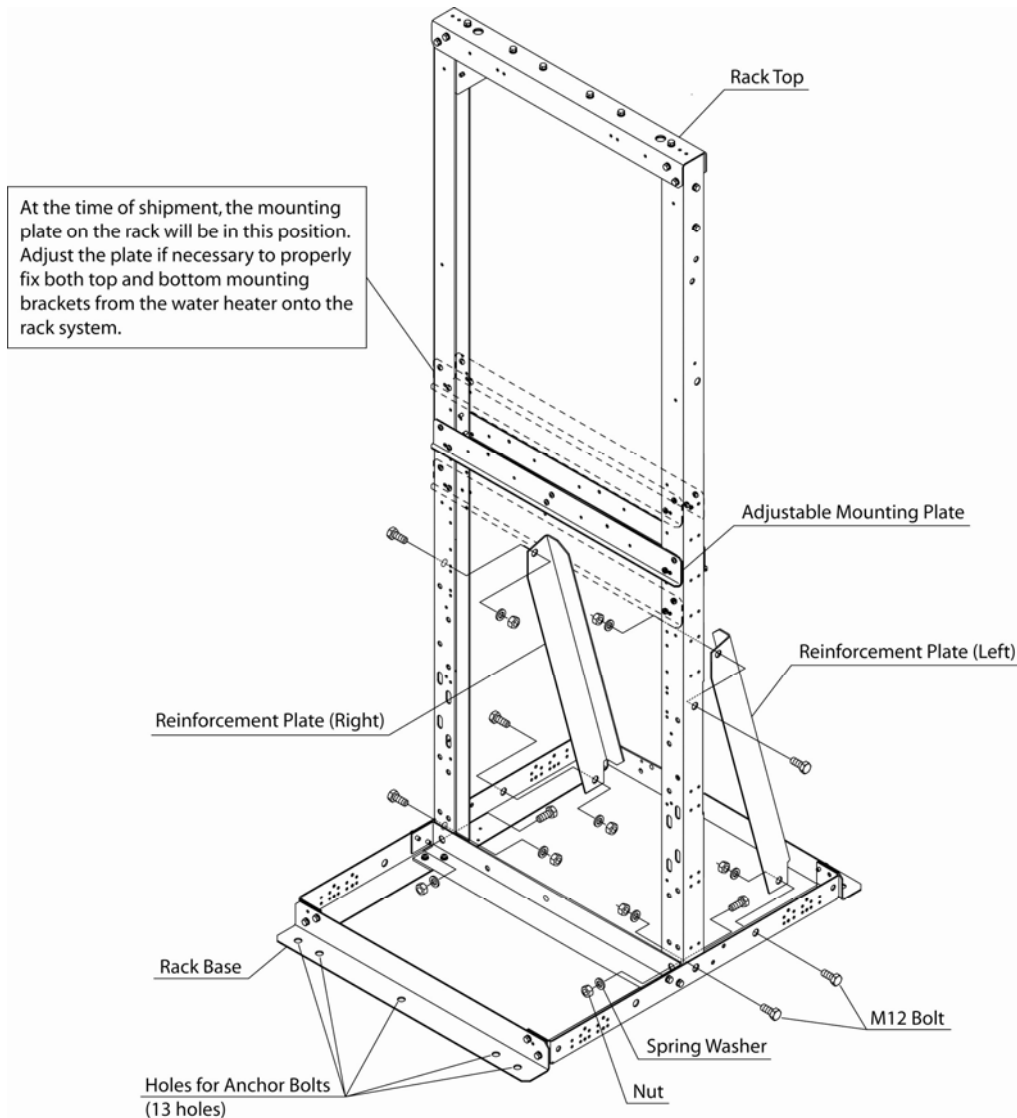
Parts/Tools Required:

- Philips Screwdriver
- Socket Wrench
- Level
- Pencil/Marker

Installation Procedure

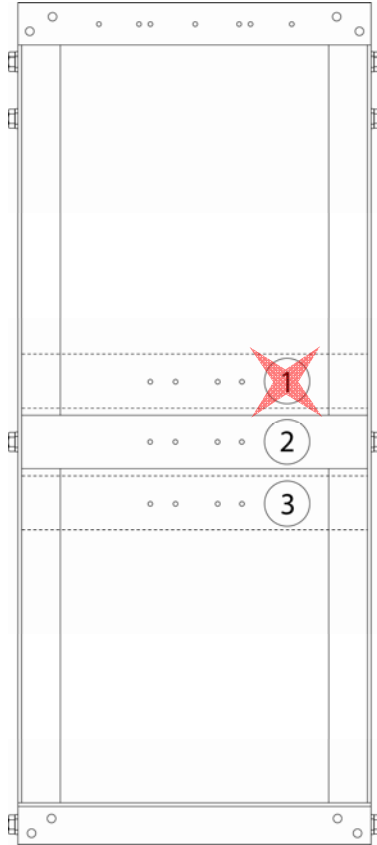
Do not attempt to overtighten any of the bolts as this may damage the threads and prevent the bolt from turning

- 1) Determine the best area to install the Commercial Multi-Rack System where all the safety and clearance requirements to the water heater and venting are met.
- 2) Remove all items from the packaging and ensure that all parts and accessories are included in the kit.
- 3) Set the Rack Base at the desired installation location and lay it flat on the ground.
- 4) Take the Rack Top Assembly and hold it near the center of the base as shown in Figure 1. Use the included M12 bolt set to attach the Rack Top to the base. After that is completed, take both left and right Reinforcement Plates and use M12 bolts to attach them to the holes provided on the Rack Top and Base for added stability.



<Figure 1> Installation of Commercial Multi-Rack System

- 5) Use the Adjustable Mounting Plate from the Rack Top Assembly and attach it to the rack system in either Position 2 or 3 using the provided holes on the Rack Top as shown in Figure 2 below. Position 1 will not be used. Refer to the chart below for corresponding positions to the listed compatible models.

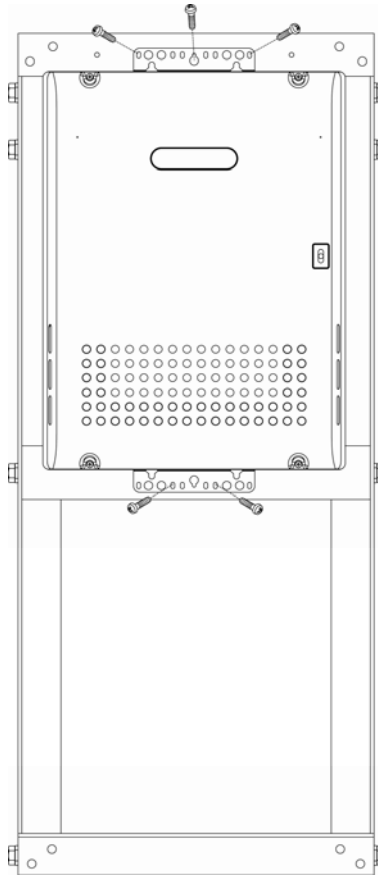


Position 2	Position 3
NC199, NCC199, NC250 Series	NC380, NCC300 Series

<Figure 2> Proper Position of the Adjustable Mounting Plate

- 6) **CAUTION!** Confirm that the rack system remains flat and secure to the ground before any units are mounted. To prevent the rack from falling over and possibly causing injury, use field-supplied anchor bolts to secure the Rack Base to the floor.
- 7) Once the rack has been properly installed and secured, carefully hold the Noritz water heater in place and use the five tapping screws to mount the unit to the rack (Figure 3). A number of mounting holes are provided to fit the top and bottom mounting brackets on the water heater.

FOR NC199 SERIES MODELS: Some additional mounting holes will be needed to securely mount the NC199 series models to the rack. Place the unit against the Rack Top and line up all the mounting points to the Adjustable Mounting Bracket. Use a level to make sure that the water heater is mounted upright and use a pencil or marker to mark the areas where the new holes will be needed. Use the provided tapping screws to attach the unit to the rack and complete the installation.



<Figure 3> Mounting the Water Heater to the Rack System

- 8) Attach the water and gas connections to the water heater(s) according to the Installation Manual provided with the units. When installing multiple water heaters on the rack, make sure to follow all clearance requirements from the unit as stated on the Rating Plate.