

Installation Manual

PIPE COVER

PC-10S

Included Accessories

Check for any missing items before starting installation.

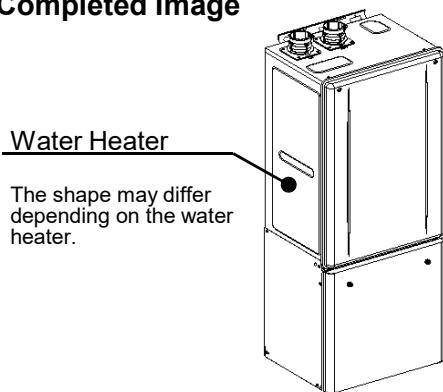
Part #	Part	Q'ty	Part #	Part	Q'ty
1	Left Side Cover	1	7	Bottom Bracket - Back	1
2	Right Side Cover	1	8	Tapping Screw w/ PW	14
3	Front Cover	1	9	M4 Machine Screw	2
4	Top Bracket - Front	1	10	Panel Screw	2
5	Top Bracket - Back	1	11	Wood Screw	2
6	Bottom Bracket - Front	1	12	Wall Anchor	2

⚠ WARNING

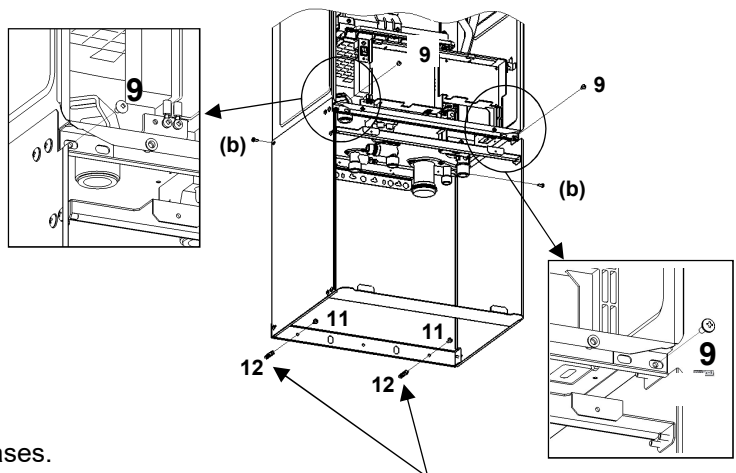
Requests to Installers

Read this Installation Manual carefully, and then install the Pipe Cover according with this Installation Manual.

Completed Image

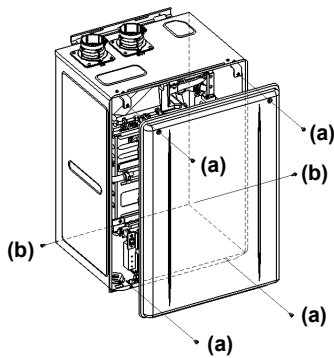


3 Secure the "pre-assembled side covers" to the Water Heater.



Installation

- 1** On the Water Heater ;
 (a) Remove 4 screws on the Front Cover.
 (b) Remove 2 screws on the both Side Cases.



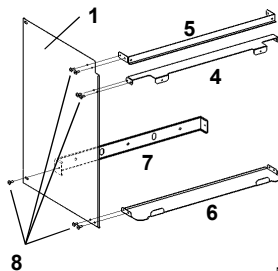
[NOTE]

Before securing the pre-assembled side covers to the Water Heater, make two holes* on the wall using a drill for Wall Anchors. And then insert the Wall Anchors into the wall. (Light tapping with a hammer on the Wall Anchors may be necessary.)

* Hole Diameter : $\Phi 9/32"$ ($\Phi 7.2\text{mm}$)

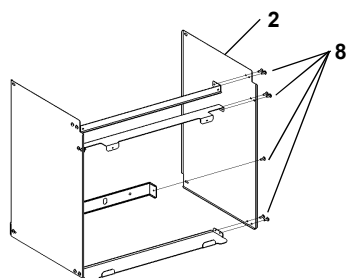
* Hole Depth : 1.4" - 1.6" (35 - 40mm)

- 2** Assemble the 4 Brackets into the Side Covers referring to the following instruction.



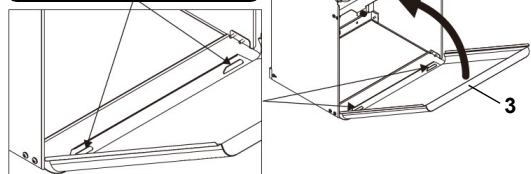
[STEP 1]
Secure 4 Brackets to the Left Side Cover.

[STEP 2]
Secure opposite side cover (Right Side Cover).



- 4** Secure the Front Cover by the Panel Screws referring to the following instruction.

Fit the Front Cover onto the Bottom Bracket carefully.



⚠ Securely affix using Panel Screws

When tightening (or loosening) the Panel Screws, be aware of the section without thread (as illustrated below), and continue turning until secured (or removed).

«When mounting» Turn horizontally while pressing the Panel Screw in.
 «When removing» Turn horizontally while pulling the Panel Screw out.

