

Pipe Cover Installation Instruction

Model : PS-8S


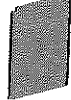
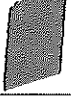








⚠ NOTICE

- This pipe cover is for NRCP Outdoor model (VCK-NRCP).
- For your safety, use properly personal protective equipment like glasses and gloves.
- To install this pipe cover correctly and safely, please read and follow the contents in this installation instructions.
- Carefully unpack and identify each component before trying to assemble. Refer to included parts.

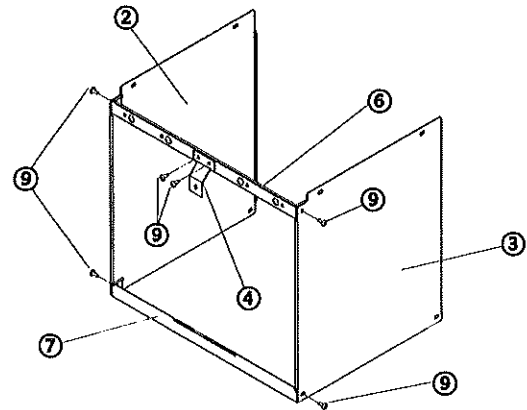
1. Included parts

The following parts are included with the kit.

Check for any missing items before starting installation.

No.	Part Name	Shape	Q'ty
1	Front Cover		1
2	Left Plate		1
3	Right Plate		1
4	Front Cover Bracket		1
5	Case Bracket		2
6	Frame Bracket 1		2
7	Frame Bracket 2		1
8	Dry Wall Anchor		2
9	Screws (M4x1.0L)		12
10	Knob		1
11	Installation Instruction		1

2. Pipe Cover itself Pre-Assembly Instructions before installation



- 1) Assemble the Front Cover Bracket (4) to the one of the Frame Bracket 1 (6).
- 2) Assemble this Frame Bracket 1 (6) assembled Front Cover Bracket to the Left and Right Plate (2, 3) with Screws (9).
- 3) Secure the two Frame Brackets (6) to the Left and Right Plate (2, 3) with Screws (9).

3. Pipe Cover Installing

- 1) Remove the mounting 4 screws (A) from the bottom and sides of the appliance. Refer to Figure 1.

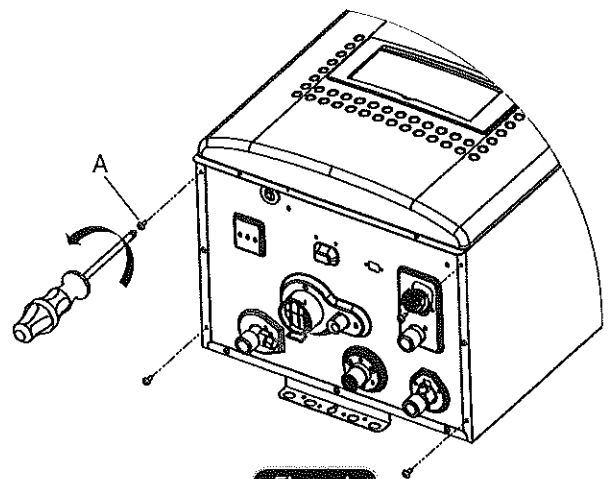


Figure 1

- 2) Install the two Case Bottom Brackets (5) to the bottom of the appliance with the 4 screws (A) removed in step 1). Refer to Figure 2.

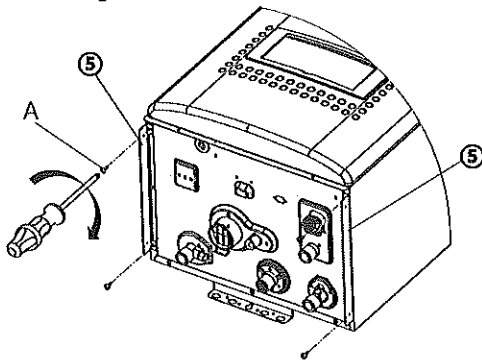


Figure 2

- 3) Slide the Pipe Cover assembly onto the bottom of the appliance. Align the mounting holes and temporarily mount the Pipe Cover with the 4 screws (8). Refer to Figure 3.
- 4) The "back" bottom Frame Bracket 1 inserts to the temporarily mounted the Pipe Cover. And then mark the locations to attach the Pipe Cover to the wall onto the "back" bottom Frame Bracket 1.
- 5) Remove the Pipe Cover from the wall and then drill two holes on the wall as marked. For drywall, drill two 3/16-in. holes (other wall material must be required alternate mounting details).

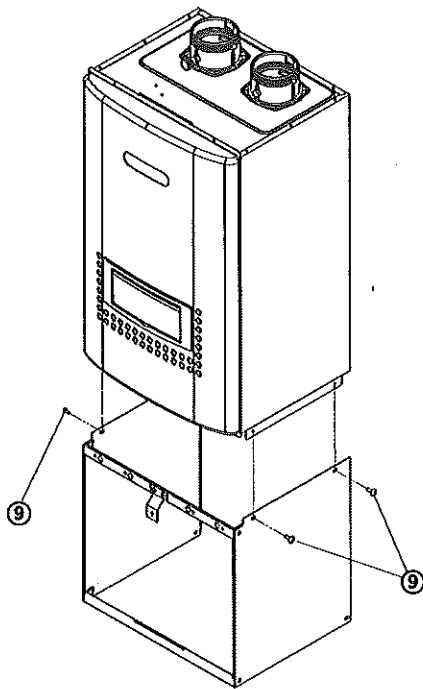


Figure 3

- 6) Attach "back" bottom Frame Bracket 1 to the wall with two dry wall anchors (8). Refer to Figure 4.
- 7) Attach the pre-assembled Pipe Cover of above 2 onto the bottom of the appliance. Tighten the 6 screws on the both sides of Pipe Cover pre-assembled.
- 8) Attach the Front Cover (1) to the Pipe Cover with the Knob (10). Refer to Figure 5.
- 9) With the Pipe Cover flush with the appliance, tighten the screws on the "back" bottom Frame Bracket 1.

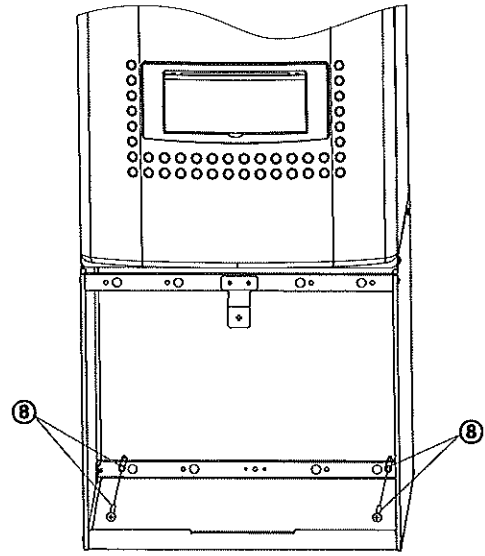


Figure 4

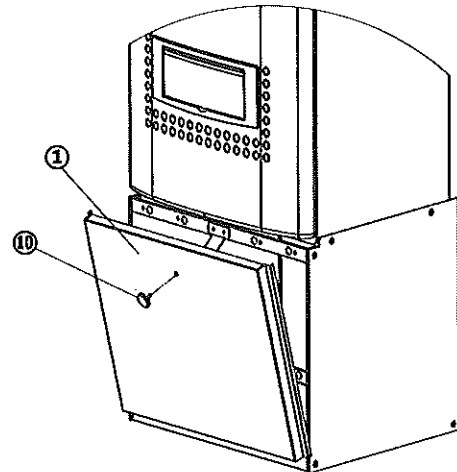


Figure 5