

## Pipe Cover Installation and Instruction Manual

### Kit# PC-9S

Applicable for NRCP111/98 series only.



**⚠ Do not connect electrical power to the unit until all electrical wiring has been completed.**

#### **⚠ WARNING**

This installation manual includes information specific to outdoor water heater installations. This information is meant to replace the venting section included in the tankless water heater installation manual.

The tankless water heater installation manual includes instructions that will be necessary for the proper installation of all other functions, such as water and gas piping, wall mounting, control programming, etc. Failure to follow these instructions could result in substantial property damage, severe personal injury, or death. This installation shall be done by a qualified service agency in accordance with these instructions, all applicable codes, and requirements of the authority having jurisdiction. Failure to follow these instructions could result in substantial property damage, severe personal injury, or death.

#### **⚠ CAUTION**

This water heater must be installed by a qualified and licensed personnel. The installer should be guided by the instructions furnished with the water heater, and by local codes and utility company requirements.

#### **Installation Must Comply With**

1. National Electrical Code
2. National Fuel Gas Code
3. In Canada, CSA C22.1 Canadian Electrical Code Part 1, and CGA No. B149 (latest version)
4. Local, state, provincial, and national codes, laws, regulations, and ordinances.
5. In the State of California: The water heater must be braced, anchored, or strapped to avoid moving during an earthquake. Contact local utilities for code requirements in your area or call 866-766-7489 and request instructions.
6. In the Commonwealth of Massachusetts:
  - a. Outdoor units may be used for summer use only.
  - b. The water heater may be used for hot water heating only and may not be used in a combination of domestic and space heating.

#### **Important**

This manual is intended to be used in conjunction with other literature provided with the water heater.

This manual includes all related control information.

It is important that this manual, all other documents included in this system be reviewed in their entirety before beginning any work.

Installation should be made in accordance with the regulations of the Authority Having Jurisdiction, local code authorities, and utility companies which pertain to this type of water heating equipment.

#### **Note:**

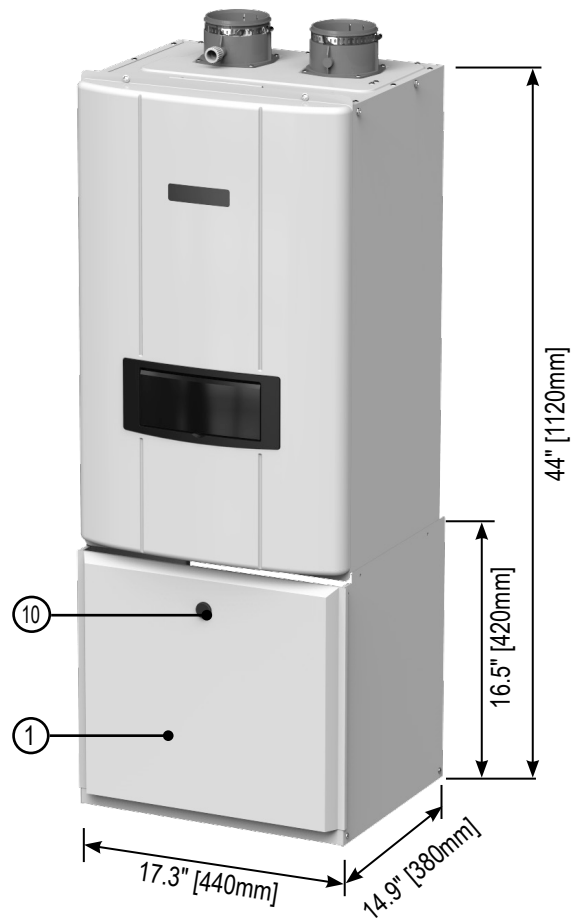
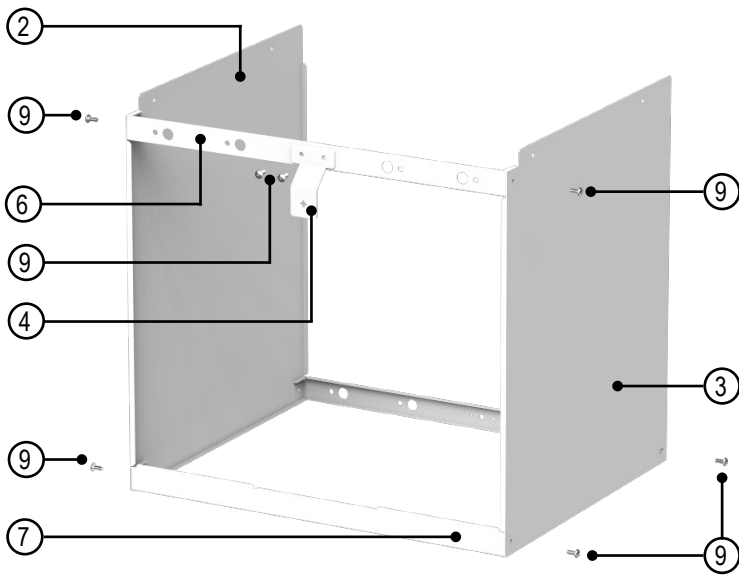
The manufacturer reserves the right to make changes or updates without notice and will not be held liable for errors in literature.

PLEASE KEEP ALL INSTRUCTIONS FOR FUTURE REFERENCE.

### Included Pipe Cover Kit

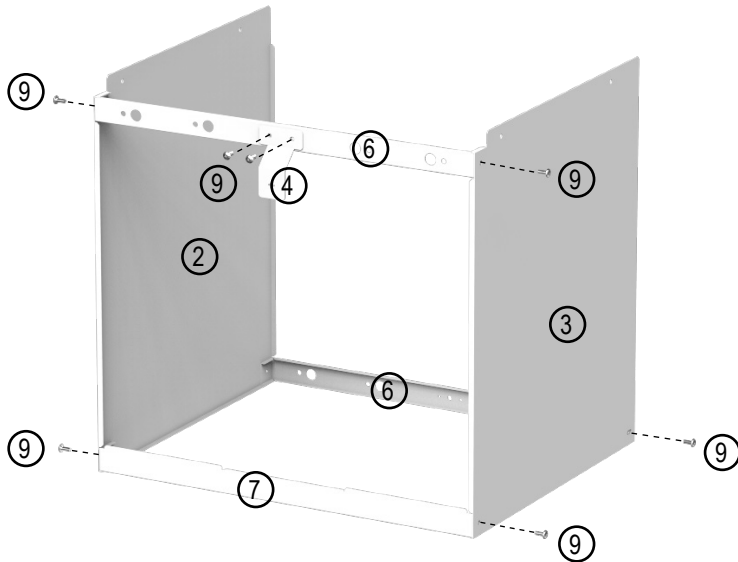
Part	Shape	Q'ty	Part	Shape	Q'ty
1	Front Cover	1	6	Frame Bracket 1	2
2	Left Plate	1	7	Frame Bracket 2	1
3	Right Plate	1	8	Dry Wall Anchor	2
			9	Screws (M4x10L)	12
4	Front Cover Bracket	1	10	Knob	1
5	Case Bracket	2	11	Installation Instruction	1

### Pipe Cover Kit Components & Dimension



## Installing the Pipe Cover

### 1. Pre-Assemble Frame before installation



- 1) Assemble the Front Cover Bracket (4) to the one of the Frame Bracket 1 (6).
- 2) Assemble this Frame Bracket 1 (6) assembled Front Cover Bracket to the Left and Right Plate (2,3) with Screws (9).
- 3) Secure the two Frame Brackets 1, 2 (6,7) to the Left and Right Plate (2,3) with Screws (9).

### 2. Install Pipe Cover onto Water Heater

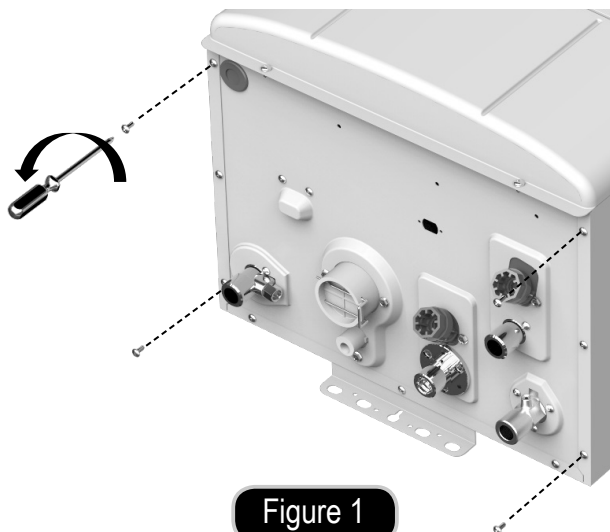


Figure 1

- 1) Remove the mounting 4 screws (A) from the bottom and sides of the appliance. Refer to Figure 1.
- 2) Install the two Case Bottom Brackets (5) to the bottom of the appliance with the 4 screws (A) removed in step 1). Refer to Figure 2.

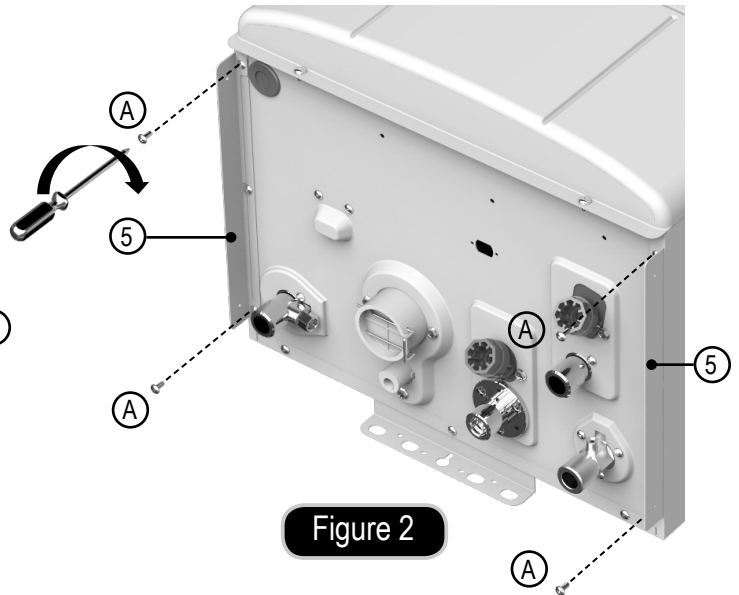


Figure 2

- 3) Slide the Pipe Cover assembly onto the bottom of the appliance. Align the mounting holes and temporarily mount the Pipe Cover with the 4 screws (9). Refer to Figure 3.
- 4) The 'back' bottom Frame Bracket 1(6) inserts into the temporarily mounted Pipe Cover. Mark the locations to attach the Pipe Cover to the wall onto the 'back' bottom Frame Bracket 1(6).
- 5) Remove the Pipe Cover from the wall and then drill two holes on the wall as marked. For drywall, drill two 3/16-in. holes (other wall material must be required alternate mounting details).

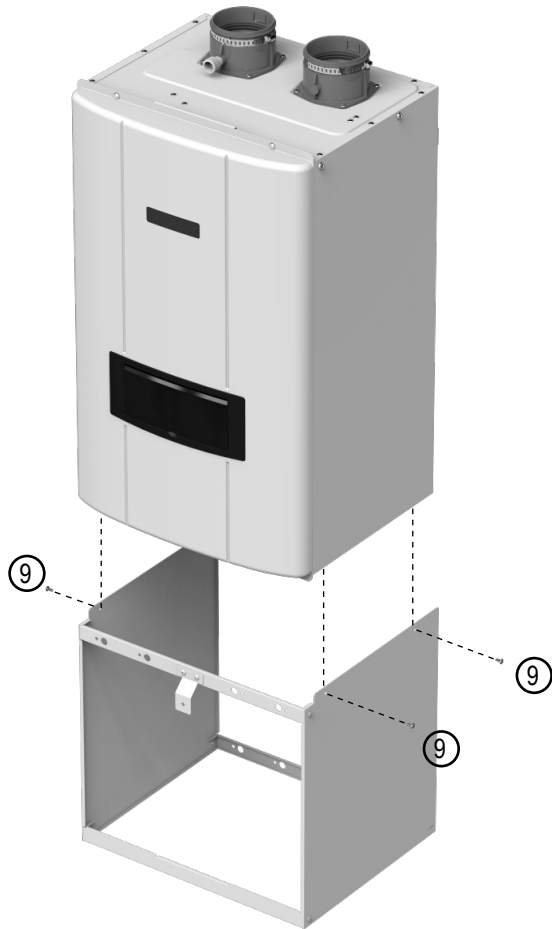


Figure 3

6) Attach 'back' bottom Frame Bracket 1(⑥) to the wall with two dry wall anchors (⑧). Refer to Figure 4.

7) Attach the pre-assembled Pipe Cover of above 2 onto the bottom of the appliance. Tighten the 6 screws on the both sides of Pipe Cover pre-assembled.

8) Attach the Front Cover (①) to the Pipe Cover with the Knob (⑩). Refer to Figure 5.

9) With the Pipe Cover flush with the appliance, tighten the screws on the 'back' bottom Frame Bracket 1(⑥).



Figure 4



Figure 5