

# INSTALLATION PROCEDURE

## Before Installation



This Vent Cap is for outdoor installation only.  
 Never install it indoors.  
 Do not enclose the termination with corrugated metal or other materials.  
 This will cause carbon monoxide poisoning and a potential fire hazard.

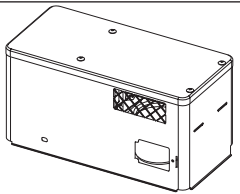
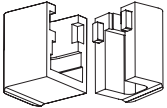

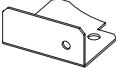





This Vent Cap is limited to use on the models which are permitted. Follow the installation manual of the unit.

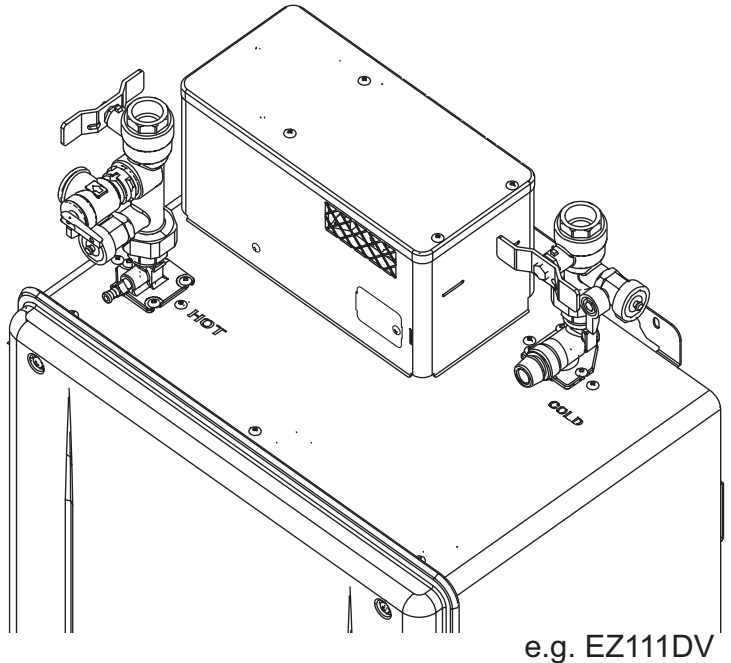


-Do not use Vent Cap if there are signs of damage or dents.  
 -Wear gloves for safe installation.

## Included Accessories

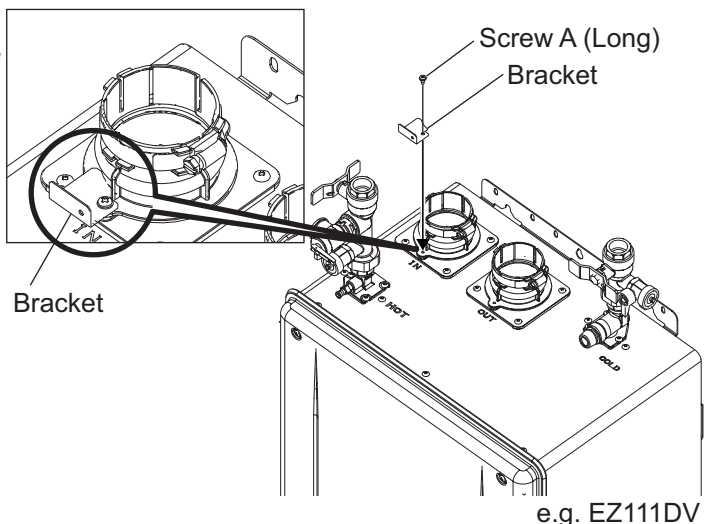
Part	Shape	Qty
Vent Cap		1
Weather Guard		1set
Weather Wrap		1
Bracket		1
Screw A (Long)		1+1extra
Access Panel		1
Screw B (Short)		2+1extra

## Complete Image

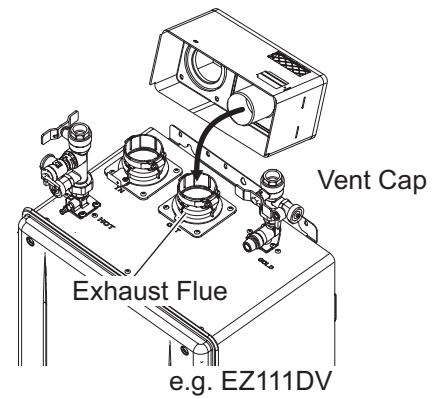


## Installation of the Vent Cap

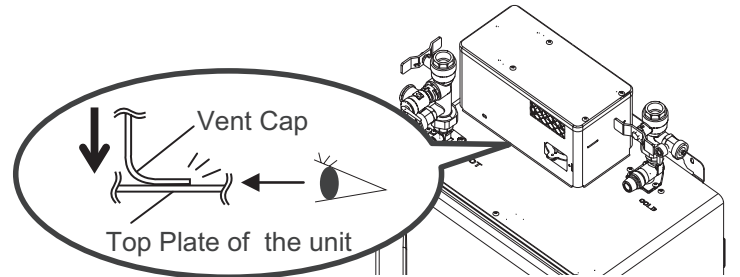
- Connect Isolation Valves to the Inlet / Outlet water connection.
  - Secure the unit to the wall in accordance with unit's Installation Manual.
  - Fix the Bracket to the Intake Flue of the unit by Screw A.



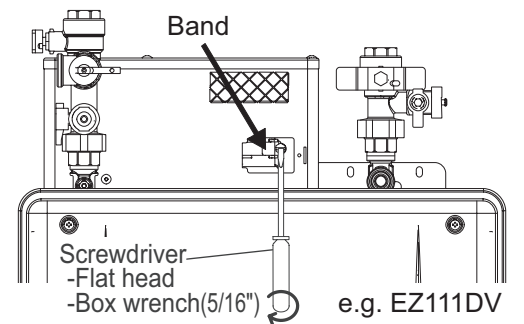
**2** Insert the Vent Cap's flue into the Exhaust Flue of the unit.



**3** Insert the Vent Cap until the Vent Cap touches the top plate of the unit.

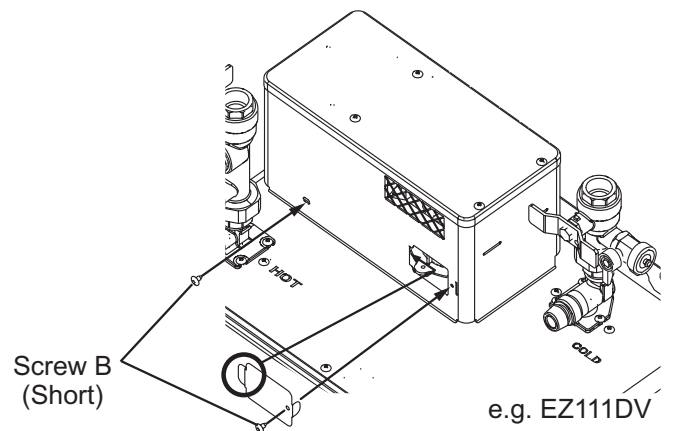


**4** Secure the Band of the Unit Exhaust Flue from the window of the Vent Cap.  
Only tighten by a hand screwdriver. (No Drills)  
(The tightening torque shall be between 16 and 20 in lb.)

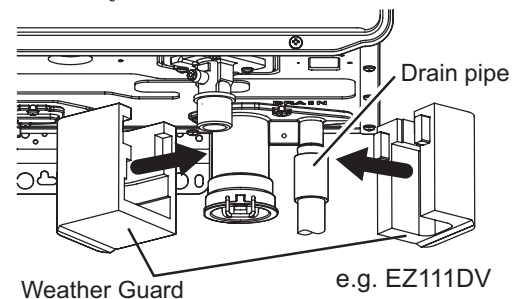


**5** Secure the Vent Cap and Bracket using Screw B.

**6** Secure the Access Panel to the Vent Cap using Screw B.



**7** Install the Weather Guard around the Condensate Container.



**8** Secure the Weather Wrap around the Weather Guard.

**9** Remove the Front Cover of the unit and change the DIP switches to Outdoor setting in accordance with the unit's Installation Manual.  
Then re-secure the Front Cover of the unit.

