

NEW PRODUCT ANNOUNCEMENT

NEW! Commercial Multi-Rack System

- Pre-fabricated racking system for commercial multi-system installations
- Can hold 2 Noritz tankless water heaters back to back and provides mounting holes for a quick and precise installation
- Provides a time and labor saving solution when installing multiple water heaters
- Manufactured with highly corrosion-resistant steel that can withstand extreme environments
- Perfect for flat rooftop or mechanical room applications

Product: Commercial Multi-Rack System

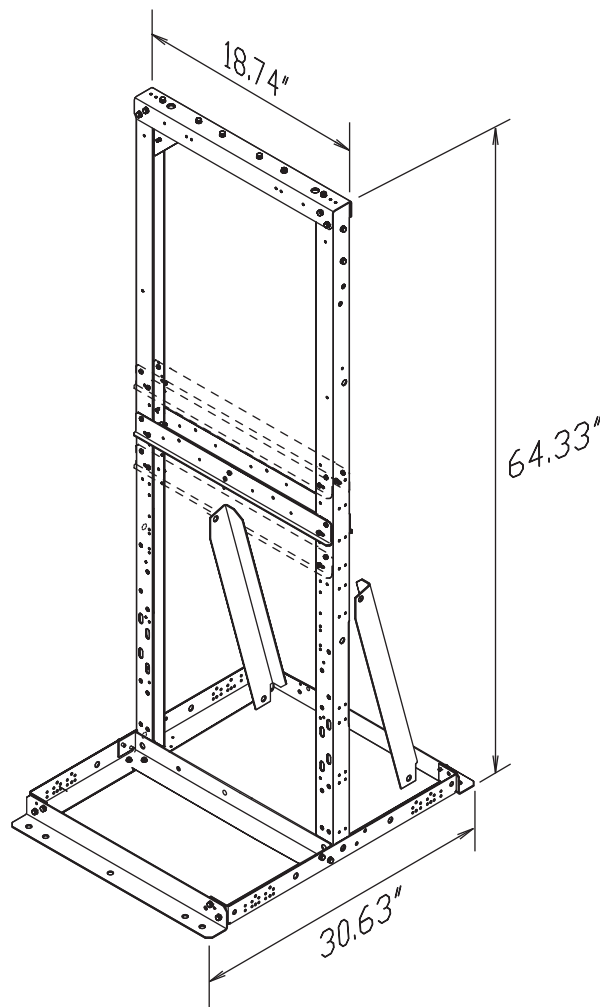
Part #: MR-2

Build Time
5 to 10 Minutes!

Availability: December 17, 2010

Tankless for Professionals™

Specifications:



Description: Commercial Multi-Rack System (#MR-2)

Weight: 48.4 lbs

Maximum Capacity: Up to 220.5 lbs / 100.0 kgs

Compatibility: All Noritz Commercial Models