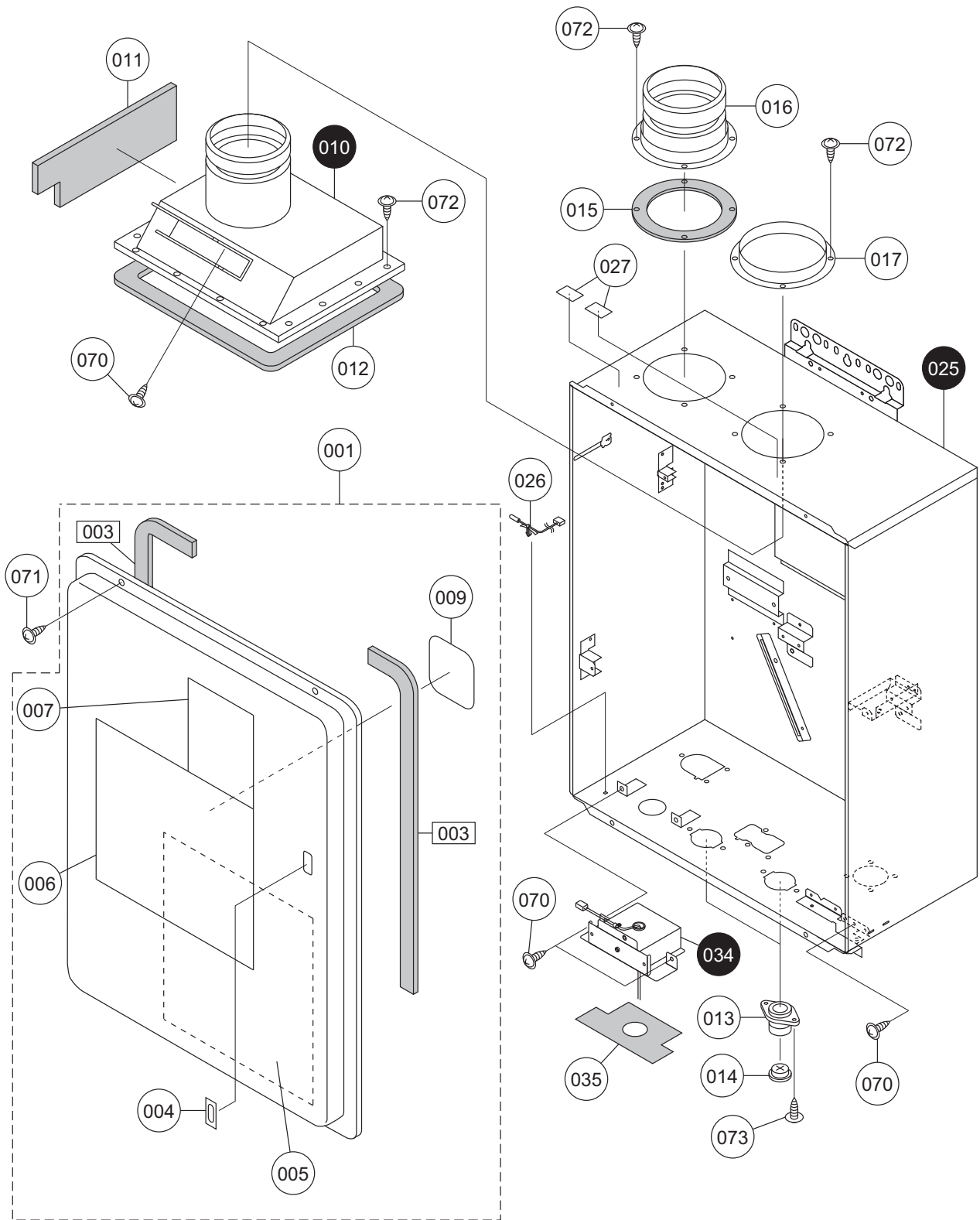


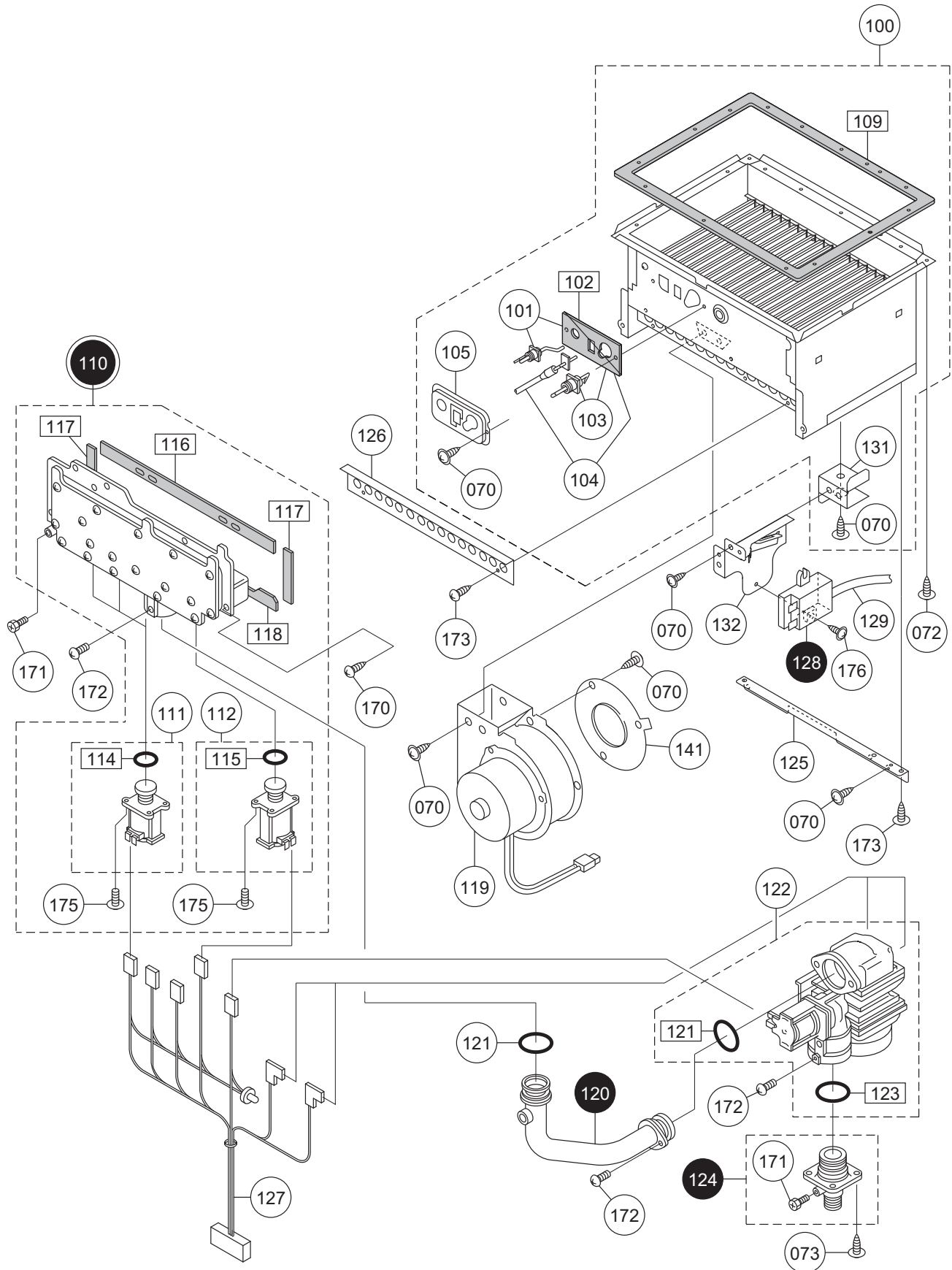
# External outfitting



## External outfitting

Part Nos.	Part Names	Order Nos.	Q'ty/unit
001	N-084M-DV Front set-AS	SBX7485	1
003	Front packing L AAP	AAPL017	2
004	Lamp seal plate DEC	DECK008	1
005	Connection diagram label EJM	EJMK001	1
006	Caution label 1 EAU	EAUK003	1
007	Caution label 2 EAU	EAUK004	1
009	Plug insulation sheet CRU	CRUK002	1
010	Exhause box FF CZV	CZVF001	1
011	Heat insurator CZV	CZVL002	1
012	Exhause joint packing DHN	DHNL003	1
013	Wiring coupling BXK	BXKA022	2
014	Grommet CXP	CXPA026	2
015	Intake pipe packing EHK	EHKL084	1
016	Intake pipe BCU	BCUF021	1
017	Intake flange BCU	BCUF022	1
025	Case FF EJM	EJMA011	1
026	Air themistor BWC	BWCH003	1
027	Intake/Exhaust label EJM	EJMK031	1
034	Junction box set EHU	EHUA008	1
035	Junction box packing EHU	EHUL002	1
070	Cross recessed round-head collar N-tapping screw 4X8		
071	Cross recessed truss type3 EVERTIGHT tapping screw with PW 4X12		
072	Cross recessed round-head collar N-tapping screw 4X10		
073	Cross recessed round-head collar type3 EVERTIGHT tapping screw 4X12		

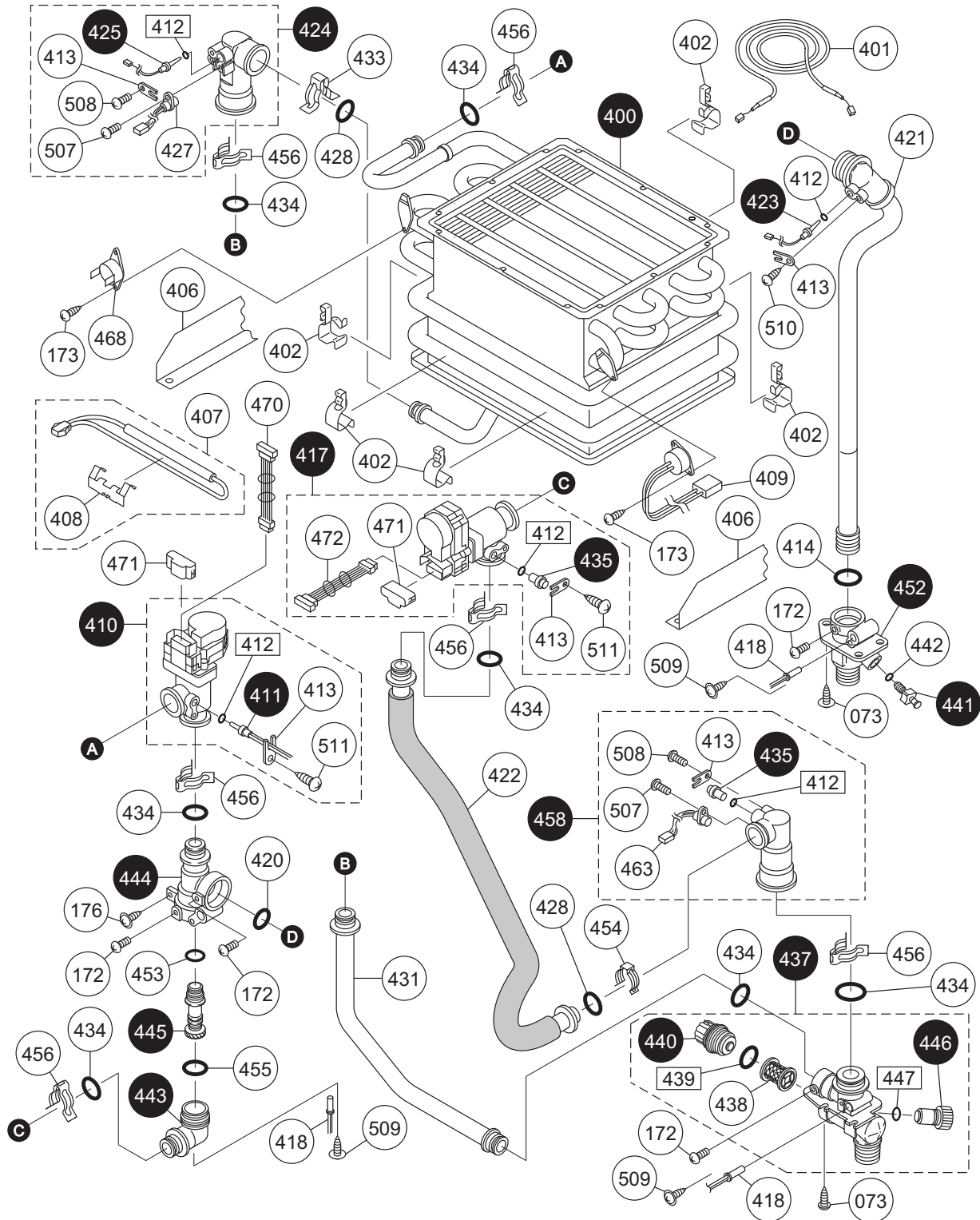
# Combustion unit and gas route



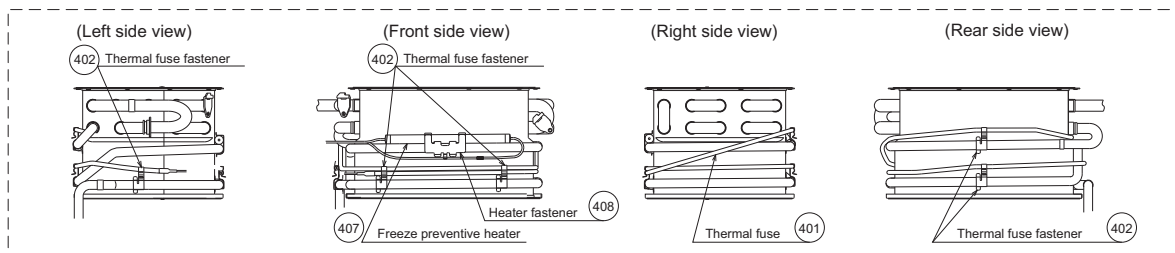
## Combustion unit and gas route

Part Nos.	Part Names	Order Nos.	Q'ty/unit
100	Combustion tube set EAC SET-V	SBP7302	1
101	Flame rod DLK SET-V	SBA7506	1
102	Plug packing(for N) DLK	DLKL012	1
103	Ignition plug SET-V	SBA7504	1
104	Burner sensor DLK SET-V	SBA7505	1
105	Plug fixing plate(for N) DLK	DLKC009	1
109	Suction air joint packing DHN	DHNL002	1
110	Manifold set 15 EDM SET-AS	SBE7875	1<LPG>
	Manifold set 24 EDM SET-AS	SBE7874	1<NGA>
111	Solenoid S16L CRU SET-AS	SAQ7346	3
112	Solenoid S24L CRU SET-AS	SAQ7406	1
114	O-ring S30 type 1A	SAD6433	3
115	O-ring S-38	SAD6372	1
116	Manifold seal packing top CRP	CRPL002	1
117	Manifold seal packing side CRP	CRPL004	2
118	Manifold seal packing bottom CRP	CRPL003	1
119	Fan moter DKE	DKEF030	1
120	Manifold pipe set EDM	EDME006	1
121	O-ring P25.5	SAB1512	2
122	Gas mech. S24DQ CRP SET-V	SAQ7708	1
123	O-ring JASO 2028A	8590109	1
124	Gas fitting 20A SET EJH	EJHE001	1
125	Mounting plate for burner case DLT	DLTC001	1
126	Main damper11 CRP	CRPC052	1
127	Conduit R10 EDM	EDMJ006	1
128	Igniter CRP	CRPJ002	1
129	High-voltage cord 470	SAC1229	1
131	Mounting plate for igniter EAC	EACC011	1
132	Mounting plate for igniter DTJ	DTJA015	1
141	Bell-mouse $\phi$ 44 CRU	CRUC045	1
170	Cross recessed round-head type3 EVERTIGHT tapping screw 5X16		
171	Cross recessed hexagon head machine screw M4X8		
172	Cross recessed round-head machine screw M4X8		
173	Cross recessed round-head N-tapping screw 4X8		
175	Cross recessed round-head SPAKmachine screw with guide M4X12		
176	Cross recessed round-head collar N-tapping screw 4X12		

# Hot-water feed route



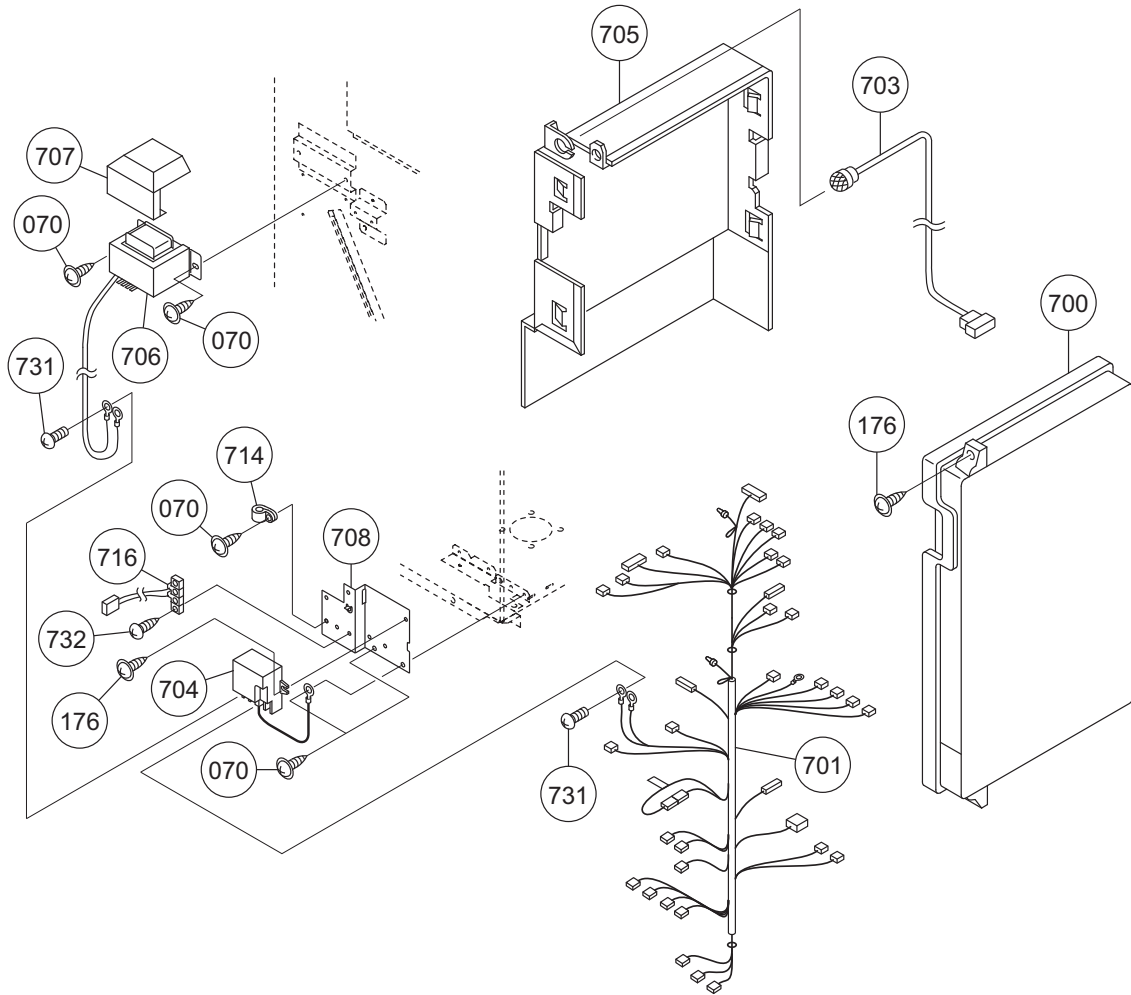
(Thermal fuse rounding procedure)



## Hot-water feed route

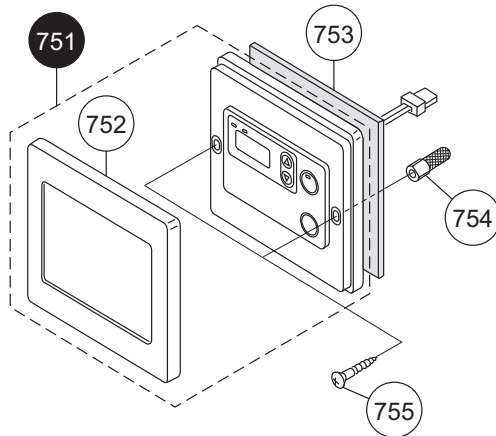
Part Nos.	Part Names	Order Nos.	Q'ty/unit
400	Heat exchanger EJM SET-AS	SKA7139	1
401	Thermal fuse DHN SET-V	SBA7398	1
402	Thermal fuse fastener CXD	CXDH003	5
406	Thermal fuse cover DHN	DHNA014	2
407	Freeze preventive heater CRP SET-V	SAQ7745	1
408	Heater fastener EHK	EHHK001	1
409	Remaining flame safety device 96 EHU	EHUH001	1
410	Water flow servo set 2 DZT	DZTD011	1
411	Heat exchanger thermister BWC	BWCD098	1
412	O-ring P4C	1323709	5
413	Thermistor holding plate ALS	ALSD088	5
414	O-ring P20C	3059502	1
417	Water flow servo set 1 DZT	DZTD010	1
418	Freeze preventive heater 3 BGD	BGDH002	3
420	O-ring P22C	7573308	1
421	Hot-water feed pipe DHN	DHND010	1
422	Bypass pipe EAC	EACD003	1
423	Hot-water thermistor BWC	BWCD096	1
424	Water flow sensor set 3 DUV	DUVD019	1
425	Water inlet thermistor BWC	BWCD097	1
427	Water outlet magnetic sensor BWC	BWCD090	1
428	O-ring P12.5C	3359808	2
431	Water inlet pipe EAC	EACD001	1
433	Quick fastener 13-22	SAD6537	1
434	O-ring P16C	3223302	7
435	Shut-off cock AXG	AXGD089	2
437	Water inlet fitting 20ASET EJM	EJMD002	1
438	Water filter (SUS) EGB	EGBD032	1
439	O-ring 16DF BRQ	BRQL008	1
440	Water filter DTJ	DTJD006	1
441	Drain cock CRU	CRUD003	1
442	Hot-water resistant O-ring P3	SAD6633	1
443	Mixing coupling EAC	EACD007	1
444	Mixing body EAC	EACD013	1
445	Mixing cylinder BWC	BWCD035	1
446	QMF safety valve	SAA2811	1
447	Hot-water resistant O-ring P9	SAD6635	1
452	Hot-water outlet fitting EJM	EJMD001	1
453	O-ring P11C	1326503	1
454	Quick fastener 12.7	6340202	1
455	O-ring JASO 2026 type4 C	SAA6483	1
456	Quick fastener 16A	6340300	6
458	Water flow sensor SET1 DUV	DUVD017	1
463	Magnetic sensor BWC	BWCD093	1
468	Thermostat BHV	BHVVH002	1
470	Conduit 86 DZT	DZTJ008	1
471	Waterproof cover CZL	CZLD041	2
472	Servo motor cable conduit (86) DZT	DZTJ009	1
507	Cross recessed truss P TIGHT screw 4X10		
508	Cross recessed round-head P TIGHT screw 4X14		
509	Cross & straight recessed round-head collar type3 S TIGHT tapping screw 4X8		
510	Cross & straight recessed type3 S TIGHT tapping screw 4X8		
511	Cross recessed round-head P TIGHT screw 4X14		

## Electronic control unit

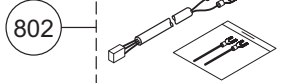


## Remote controller

kitchen remote controller  
(RC-7646M-2-USA)



## Attached set



<Special part>

Special part	Special part no.
instruction manual	888

## Electronic control unit, Remote controller and Attached set

Part Nos.	Part Names	Order Nos.	Q'ty/unit
700	Relay case EJM-A SET-AS	SHA7682	1
701	Harness EJM	EJMJ002	1
703	Lamp cable conduit CRP	CRPJ014	1
704	Current leakage safety device DTJ	DTJJ015	1
705	Relay case cover DEK	DEKA014	1
706	Transformer EDN	EDNJ006	1
707	Transformer cover DJP	DJPA054	1
708	Mounting plate for terminal block DZT	DZTA006	1
714	Nylon clamp HP-4N (NK-4N)	7287909	1
716	Conduit 90-2 CCP	CCPJ028	1
731	Cross recessed blind machine screw M3.5X6		
732	Cross recessed round-head N-tapping screw 4X12		
751	RC-7646M-2 body USA QME	QMEJ005	1
752	Drssed frame body QME	QMEA003	1
753	Wall packing QHU	QHUA115	1
754	Oar plug 6X25		
755	Cross recessed round wood screw 4.1X25		
800	N-084M packing SET V	SBP7633	1
801	Cross recessed round-head type 1 tapping screw 5X35		
802	Remote controller cord S SET EAU	EAUM001	1
888	Instruction manual N-084M	SAR8157	1