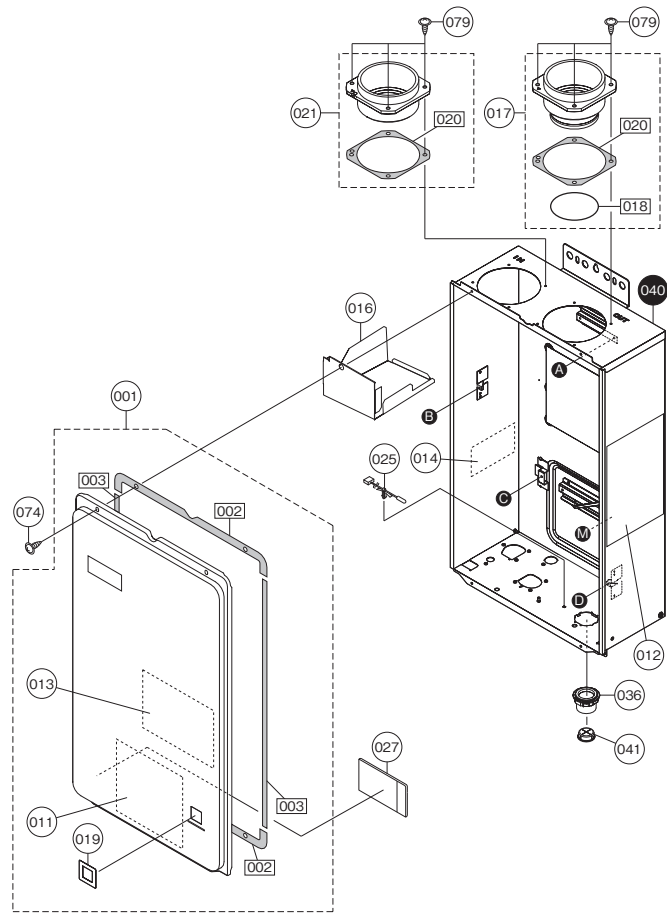
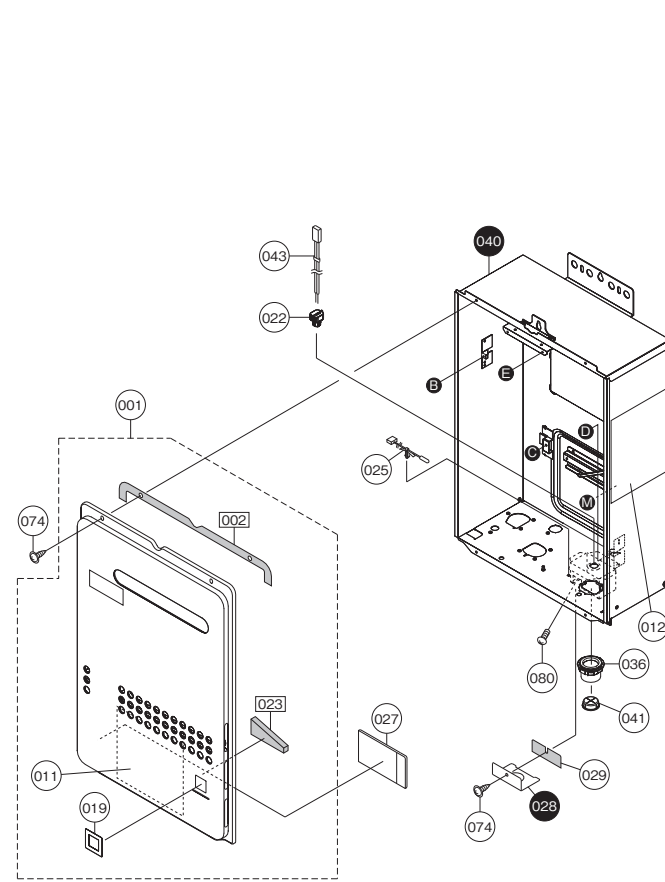


External outfitting NRC711-DV



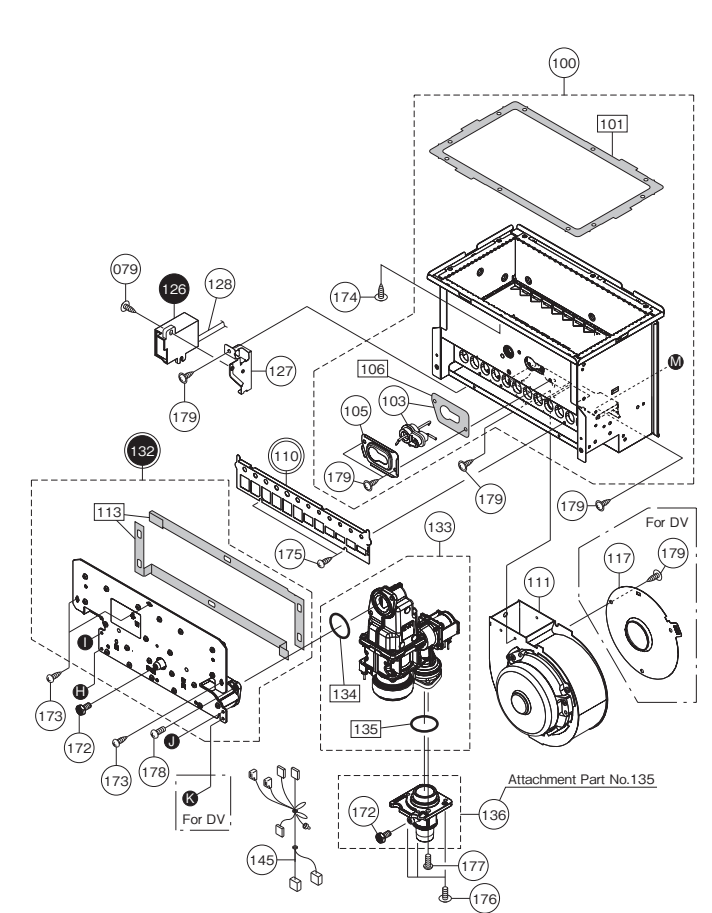
External outfitting NRC711-OD



External outfitting NRC711-DV.-OD

Part Nos	Part Names	Order Nos	Q'ty/unit
001	Front Cover - NRC661-DV (SET)/NRC711-DV	SKJ70B3	1<NRC711-DV>
002	Front Cover - NRC661-OD (SET)/NRC711-OD	SKJ70B1	1<NRC711-OD>
003	Gasket - Front Cover Top and Bottom	EAL002	2<NRC711-DV>
	Gasket - Front Cover Sides	EAL002	1<NRC711-OD>
011	Wiring Diagram	AAPL017	2<NRC711-DV>
012	Label - Outside Case Caution Label	EVRK001	1
013	Label - Inside Front Cover Caution Label	ELVK006	1<NRC711-DV>
014	Label - Name Plate	ELVK010	1<NRC711-DV>
016	Air intake deflector plate - plastic	EVSA006	1<NRC711-DV>
017	Exhaust Flue w/ O-Ring and Gasket (SET)	EVSP021	1<NRC711-DV>
018	O-Ring - Exhaust Flue Φ72.62	EVSP024	1<NRC711-DV>
019	Sight Glass Window	EVRK002	1
020	Gasket - Exhaust Flue	EVSP023	2<NRC711-DV>
021	Intake Flue w/ Gasket (SET)	EVSP031	1<NRC711-DV>
022	Wire Grommet - Rubber	ETPA073	1<NRC711-OD>
023	Gasket - Sight Glass Window	EVRD001	1<NRC711-OD>
025	Thermistor - Air	BWCH003	1
027	Parts List	EVPK051	1
028	Junction Box Cover	ENJA025	1<NRC711-OD>
029	Gasket - Junction Box Cover	ENWL005	1<NRC711-OD>
036	Wiring Through Way	EGMA055	1<NRC711-DV>
040	Case - NRC661-DV/NRC711-DV	EVSA001	1<NRC711-DV>
	Case - NRC661-OD/NRC711-OD	EVRD001	1<NRC711-OD>
041	Wire Grommet - Rubber	CXPA026	1
043	Inlet Power Wires	ENLJ020	1<NRC711-OD>
074	Screw - Front Cover with washer M4X12 S410		
079	Screw - Long Tapping M4X12 S410		
080	Screw - Remote Terminal M4XB S430		<NRC711-OD>

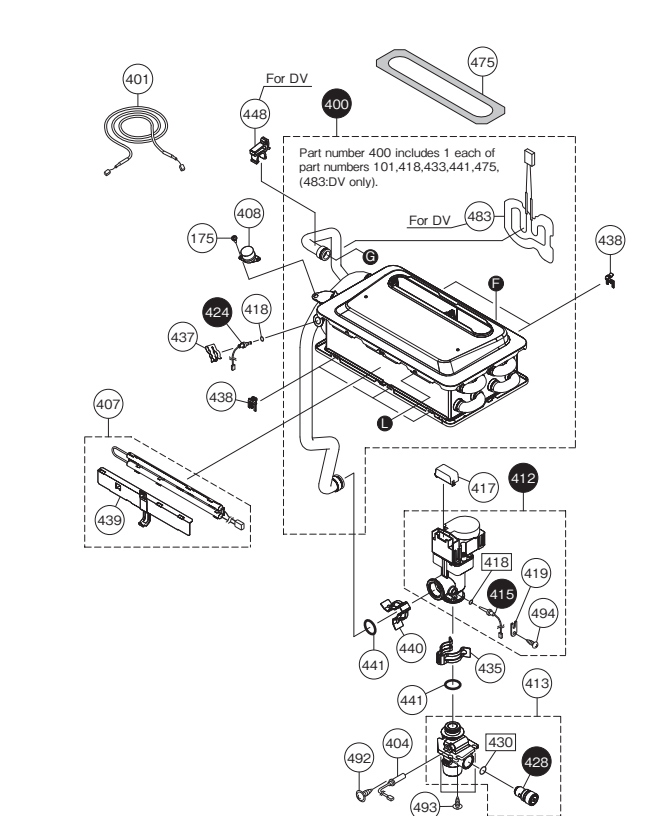
Combustion unit and gas route NRC711-DV.-OD



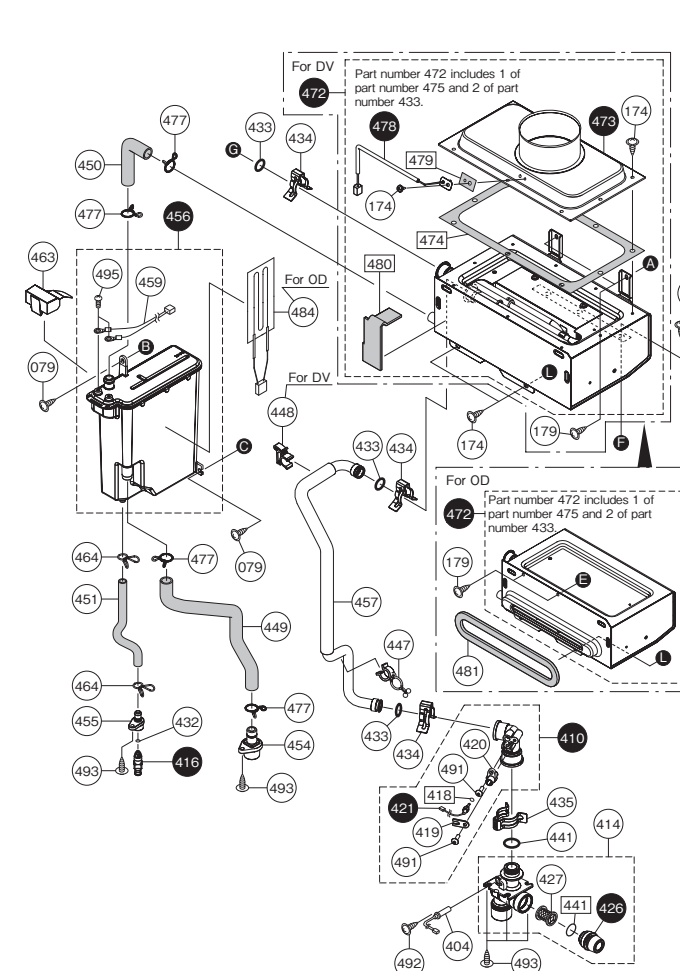
Combustion unit and gas route NRC711-DV.-OD

Part Nos	Part Names	Order Nos	Q'ty/unit
100	Burner w/ Gasket and Ignition Plug (SET)	SKJ70FU	1
101	Gasket - Burner	EVHL002	1
103	Ignition Plug w/ Gasket	SKH7391	1
105	Mounting Plate - Ignition Plug	EULC022	1
106	Gasket - Ignition Plug	EULL003	1
110	Burner Damper 12-8	EVHC068	1<NRC711-DV LP>
			1<NRC711-OD LP>
			1<NRC711-DV NG>
			1<NRC711-OD NG>
111	Fan Motor w/ Housing	SKJ70BG	1<NRC711-DV>
113	Gasket - Manifold Plate	EVHL012	2
117	Fan Plate φ38H	EVHF161	1<NRC711-DV>
126	Igniter	ERDU112	1
127	Mounting Plate - Igniter	EVHA016	1
128	High Voltage Igniter Wire	ALS3072	1
132	Manifold Plate 11-14 (SET)	SKJ70PX	1<LP>
	Manifold Plate 14-24 (SET)	SKJ70PY	1<NG>
133	Gas Valve	SKJ70BV	1
134	O-Ring - Gas Solenoid	SAA6044	1
135	O-Ring - Gas Valve Bottom	1648306	1
136	Inlet Gas Connection w/ Screw (SET)	SKJ70NG	1
145	Wiring Harness - Gas Valve	EVHJ016	1
172	Screw - Inlet and Manifold Gas M4XB	SAC6082	2
173	Screw - Large Manifold Plate M5X16 S410		
174	Screw - Medium Tapping M4X10 S410		
175	Screw - Small Tapping w/o collar M4XB S410		
176	Screw - Machine Screw M4X12 S430		
177	Screw - Mounting Machine M5X12 S430		
178	Screw - Machine w/ guide M4X14		
179	Screw - Short Tapping M4XB S410		

Hot-water feed route1 NRC711-DV.-OD



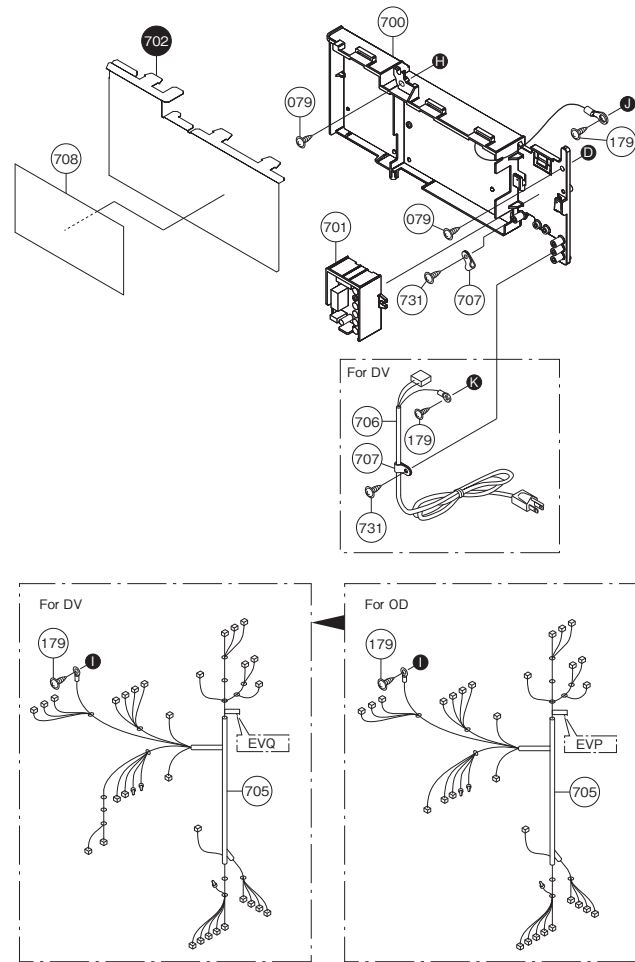
Hot-water feed route 2 NRC711-DV.-OD



Hot-water feed route NRC711-DV.-OD

Part Nos	Part Names	Order Nos	Q'ty/unit
400	Heat Exchanger Kit (DV) (SET)	SKJ70P2	1<NRC711-DV>
	Heat Exchanger Kit (OD) (SET)	SKJ70O0	1<NRC711-OD>
401	Thermal Fuse	EVHJ010	1
404	Freeze Prevention Heater - Round Short	EPHD003	2
407	Freeze Prevention Heater - Double Round (SET)	SKJ70B3	1
408	High Limit Switch	ENJH001	1
410	Water Flow Sensor (SET)	EBTD041	1
412	Water Servo -Main (SET)	JDWD001	1
413	Outlet Water Connection	EVRD003	1
414	Inlet Water Connection (SET)	EVRD001	1
415	Thermistor - Hot Water	BWCD098	1
416	Drain Cock	CRUD003	1
417	Wire Cover - Servo	EBTD023	1
418	O-Ring - Thermistor High Temp P4	1323709	3
419	Thermistor Holding Plate	ALSD088	2
420	Magnetic Sensor - Flow Sensor	BWCD090	1
421	Thermistor - Cold Water	EBTD047	1
424	Thermistor -Heat Exchanger	BWCD098	1
426	Water Filter Cap	DTJD006	1
427	Water Filter	EGBD032	1
428	Safety Relief Valve	SA2811	1
430	O-Ring - High Temp P9	SAD6635	1
432	O-Ring - High Temp P3	SAD6633	1
433	O-Ring - High Temp P12.5	3359808	3
434	"C" Clamp - Water Pipe 13-22	SAD6537	3
435	"C" Clamp - Water Pipe 16A	6340300	2
437	"C" Clamp - Thermistor	CRUD055	1
438	Clamp - Thermal Fuse	EVHJ004	5
439	Clamp - Freeze Prevention	EVSH001	1
440	"C" Clamp - Water Pipe 16-25	SAD6593	1
441	O-Ring - High Temp P16	3223302	4
447	Clip - Harness	HGKL015	1
448	Clamp - Harness	SA92774	2<NRC711-DV>
449	Drain Hose - Condensate	EVRF042	1
450	Drain Hose - SS HEX	EVHF041	1
451	Drain Hose - Neutralizer / Condensate Container	EVHF043	1
454	Drain Connection - Condensate	EPHF001	1
455	Drain Connection - Neutralizer / Condensate Container	EMDF309	1
456	Condensate Container (SET)	EVRF031	1
457	Pipe - Flow Sensor to SS Heat Exchanger	EVHD011	1
459	Wiring Harness - Water Level Electrode	EVRD021	1
463	Cover - Water Level Electrode	EVHA017	1
464	Clamp - Container Hose φ8	EMUD005	2
472	Heat Exchanger Kit - Secondary SS (DV) (SET)	SKJ70D1	1<NRC711-DV>
	Heat Exchanger Kit - Secondary SS (OD) (SET)	SKJ70D2	1<NRC711-OD>
473	Exhaust Box	EVSP101	1<NRC711-DV>
474	Gasket - Exhaust Box	EVSL001	1<NRC711-DV>
475	Gasket - Secondary Heat Exchanger	EVHL013	1
477	Clamp - Container Hose φ15.5	SAD6678	4
478	Thermistor - Exhaust	ETHH002	1<NRC711-DV>
479	Gasket - Exhaust Thermistor	ETHL004	1<NRC711-DV>
480	Packing - Exhaust Thermistor	ETHL006	1<NRC711-DV>
481	Gasket - Exhaust (OD)	DJPL007	1<NRC711-OD>
483	Freeze Prevention Heater	EVRH002	1<NRC711-DV>
484	Freeze Prevention Heater - Condensate Container	ETHH004	1<NRC711-OD>
491	Screw - Round Head Medium Tapping M4X10 S305		
492	Screw - Short Machined M4XB S410		
493	Screw - Long Machine M4X12 S410		
494	Screw - Round Head Medium Tapping M4X10 S410		
495	Screw - Small Tapping M4X20		

Electronic control unit NRC711-DV.-OD

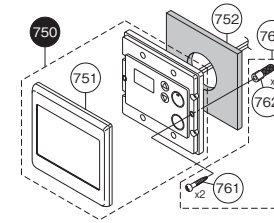


Electronic control unit NRC711-DV.-OD

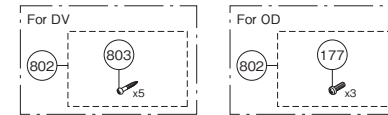
Part Nos	Part Names	Order Nos	Qty/unit
700	Circuit Board	SHC7025	1
701	Circuit Board	SHC701M	1
702	Cover - Circuit Board	EVHA015	1
705	Wiring Harness - NRC711-DV	EVQJ011	1<NRC711-DV>
	Wiring Harness - NRC711-OD	EVPJ011	1<NRC711-OD>
706	Power Supply Cord	ERLJ001	1<NRC711-DV>
707	Wire Clamp - Nylon	7287909	2<NRC711-DV>
	Wire Clamp - Nylon	7287909	1<NRC711-OD>
708	Label - Circuit Board Plastic Cover	EVRK006	1
731	Screw - Remote Terminal Cover M4X12 S410		

Remote controller,Attached set NRC711-DV.-OD

Remote controller RC-7651M-ENG



Attached set



<Special part>

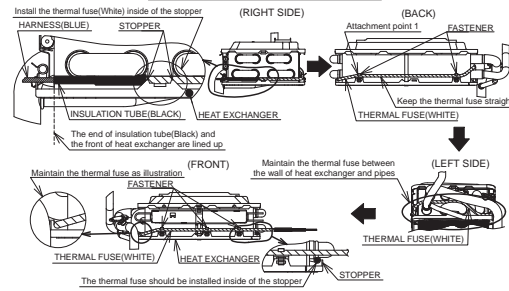
Special part	Special part no.
Owner's guide	888
Installation manual	889

※ To request a French version of the Owner's guide or Installation manual, contact Noritz America.

Remote controller,Attached set NRC711-DV.-OD

Part Nos	Part Names	Order Nos	Qty/unit
750	Remote Controller - RC-7651M (SET)	QXLU017	1
751	Cover - Remote	QMEA003	1
752	Mounting Packing - Remote	QHUA115	1
760	Screw Package - Remote(SET)	OQUA100	1
761	Screw - Round Head Wood M4.1X25 S305		
762	Dry Wall Anchors6X25		
800	Box - NRC661-DV	SKJ70BY	1<NRC711-DV>
	Box - NRC661-OD	SKJ70BZ	1<NRC711-OD>
	Label - Gas Type LP	ESCK008	1<LP>
802	Wood Screw set5	SAF6007	1<NRC711-DV>
	Screw Package - Mounting OD	SAB2286	1<NRC711-OD>
803	Screw - Round Head Wood M5.1X32 S305		
888	Owner's Guide NRC711(DV.-OD)	SBB8067	1
889	Installation Manual NRC711-DV	SBB806U	1<NRC711-DV>
	Installation Manual NRC711-OD	SBB8068	1<NRC711-OD>

Thermal Fuse Installation Procedure



- Install the thermal fuse following the below procedure.
1. Begin the installation by attaching the thermal fuse to the right side of the heat exchanger.
 2. Bend the thermal fuse to the back of the heat exchanger and fixing the thermal fuse by the fastener at attachment point 1 as indicated in the above illustration.
 3. Continue wrapping the thermal fuse around the heat exchanger securing it at each attachment point using the fasteners shown in the above illustrations.
- Caution**
The thermal fuse may snap if it is twisted, pinched or bent too sharply. Do not bend the thermal fuse to a radius of less than 1.25".

Freeze Prevention Heater Installation Procedure

