



MODEL NT20-A CONDENSATE NEUTRALIZATION TANK

The NT20-A is ideal for neutralizing condensate from condensing boilers or furnaces.

The condensate is acidic and has the potential to harm the environment and the sewer system. The NT20-A will neutralize the condensate to a neutral pH level before it is discharged to drain.



FEATURES and BENEFITS

- *Neutralized condensate will not corrode drain and sewer systems*
- *Neutralized condensate will not harm the local environment*
- *Fast and easy installation*
- *Two inlets (top and side) make it easier to adapt to most appliance drains*
- *Made of only corrosion resistant materials*
- *Suitable for all types of condensing boilers and furnaces*
- *20 liter (5.3 US gallon) tank for complete neutralization*
- *Includes initial charge of Axiom's special LipHter neutralizing media*
- *Suitable for appliance sizes up to 3.0 MBTU (3,000,000 btu/hr) input*

* Check with the appliance manufacturer for condensate flowrate. As a guideline 3,000,000 BTU/hr at 96% efficiency will produce approximately 20 Gal/hr (75 L/hr).

Represented By:



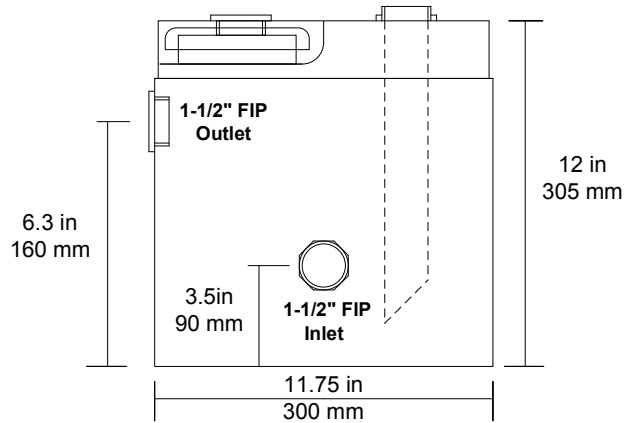
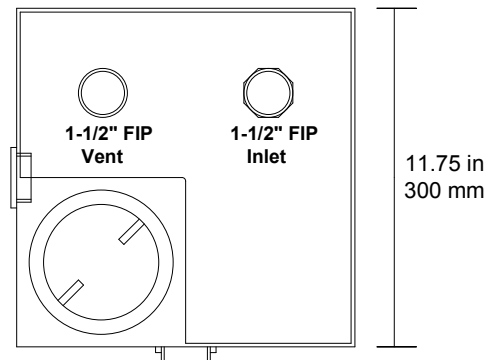
INDUSTRIES LIMITED

**NT20-A CONDENSATE NEUTRALIZATION TANK
TECHNICAL INFORMATION**

WEIGHT - 2 kg, 4.4 lbs. (empty)
- 20 kg (44.4 lbs. (full))

SPECIFICATION

The condensate neutralization tank shall be AXIOM INDUSTRIES LTD. Model NT20-A. System shall include 20 litre (5.3 U.S. gallon) tank made from one-piece seamless polyethylene construction with 125-mm (5") fill/access opening, 1-1/2" FIP inlets on the top and the side, 1-1/2" FIP side outlet, and 1-1/2" FIP top vent. Comes with 18 kg (40 lbs) of Axiom's Liphter neutralization media.



Clearances - Top and Left Side - 12 in 305 mm

ACCESSORIES

- SMW-003** – Tank Mounting Shelf
- NM-25** – 40 lbs. of replacement LipHter neutralization media

Project _____

Location _____

Consultant _____

Contractor _____

Unit Tag _____

Sales Agent _____